

RHBABY&CHILD
RHTEEN

VALENTINA UPHOLSTERED PLATFORM BED WITH PLINTH BASE – TWIN

ASSEMBLY AND INSTALLATION INSTRUCTIONS

ENGLISH

VALENTINA UPHOLSTERED PLATFORM BED WITH PLINTH BASE – TWIN

PARTS INCLUDED

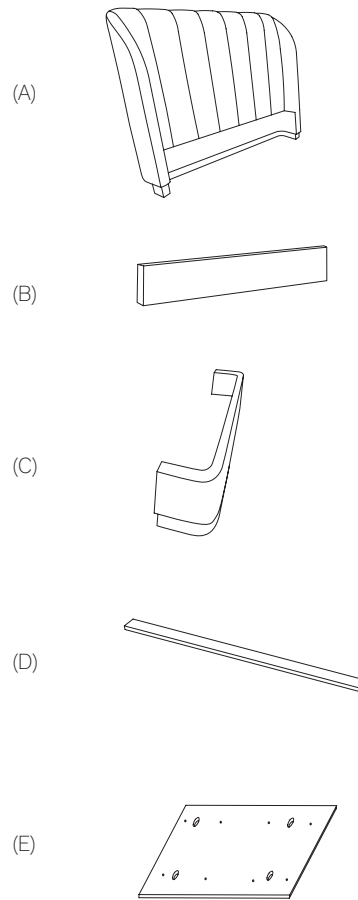
- (A) Headboard (1)
- (B) Side Rails (2)
- (C) Footboard (1)
- (D) Slats (4)
- (E) Platform Panels (2)

HARDWARE INCLUDED

- (1) Threaded Rods (8)
- (2) Curved Washers (8)
- (3) Lock Washers (8)
- (4) Nuts (8)
- (5) Spanner Wrench (1)
- (6) Screws (3cm) (16)
- (7) Screws (4cm) (8)

TOOLS NEEDED

Phillips screwdriver (not included)



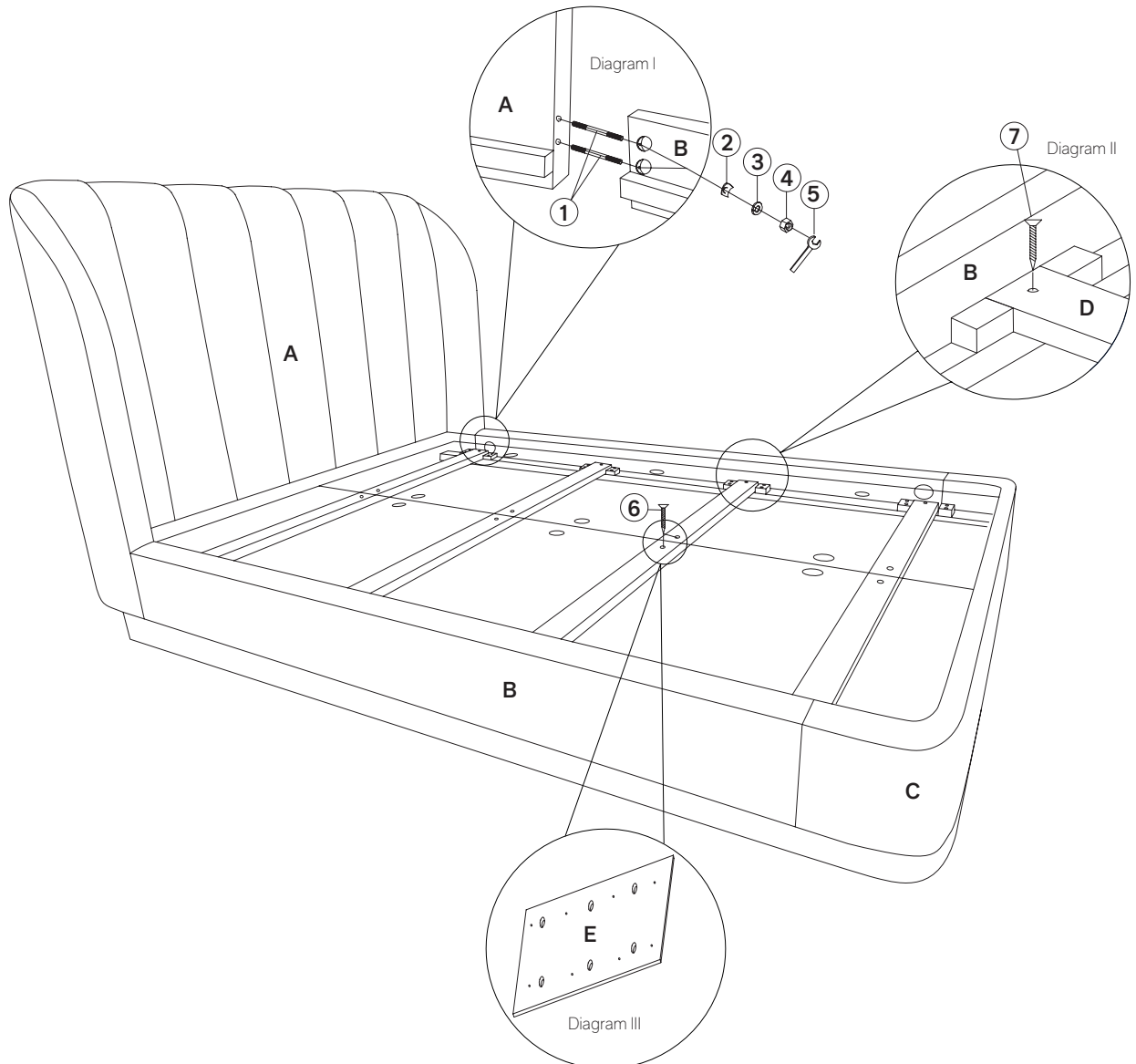
SAFETY INSTRUCTIONS

Bed must be assembled by at least two people.
 Please read instructions carefully before assembling bed.
 Use the above parts and hardware list to identify each component.
 Keep all packing materials until assembly is complete to avoid loss of smaller parts.

ASSEMBLY INSTRUCTIONS

1. Place Headboard (A) upright in the position you wish the bed to be in when fully assembled. Secure Threaded Rods (1) to the fixed nuts on Headboard (A) by screwing it in by hand.

2. Raise the Side Rails (B) up and align Threaded Rods (1) with the bore holes on the end of the Side Rails (B). Place Side Rails (B) up against Headboard (A) so Threaded Rods (1) go through the holes. Insert Curved Washers (2), Lock Washers (3), and Nuts (4). Then secure with Spanner Wrench (5), as shown in Diagram I.
3. Repeat steps 1 and 2 to install Footboard (C) to Side Rails (B).
4. Place Slats (D) on top of the Side Rails' (B) side slats and fasten using Screws (7), as shown in Diagram II.
5. Lay Platform Panels (E) on top of Slats (D) and fasten using Screws (6), as shown in Diagram III.
6. Assembly is complete.



WARRANTY

If you are not completely satisfied with your purchase, please contact us to return or exchange your item(s) within 30 days of the delivery date, with proof of purchase. Note that returns or exchanges are not accepted for special orders, items that have been installed, mattresses and/or foundations no longer in their original packaging, and other items listed at RH.com. Other exclusions may apply. Contact us for details. Unfortunately, galleries cannot accept returns of furniture or other large items.

CARE INSTRUCTIONS

Spot clean only with a soft, damp cloth.